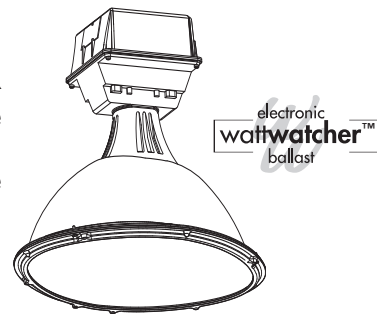


JOB NAME \_\_\_\_\_  
 TYPE \_\_\_\_\_

# LOGISTIX<sup>Pro</sup>™ ENCLOSED AISLE LIGHTER

250-1000 watt Metal Halide  
 250-400 watt High Pressure Sodium  
 250-1000 watt Pulse Start Metal Halide

The LOGISTIX<sup>Pro</sup>™ Aisle Lighter Luminaire has an enclosed, hydroformed faceted aluminum reflector with asymmetric distribution. It is the choice for aisle/warehouse applications in commercial and industrial facilities requiring dust tight construction.



**Day-Brite®** Lighting

## ORDERING MATRIX

SAMPLE CATALOG NUMBER: HBE400PMT-PSC-AA20E

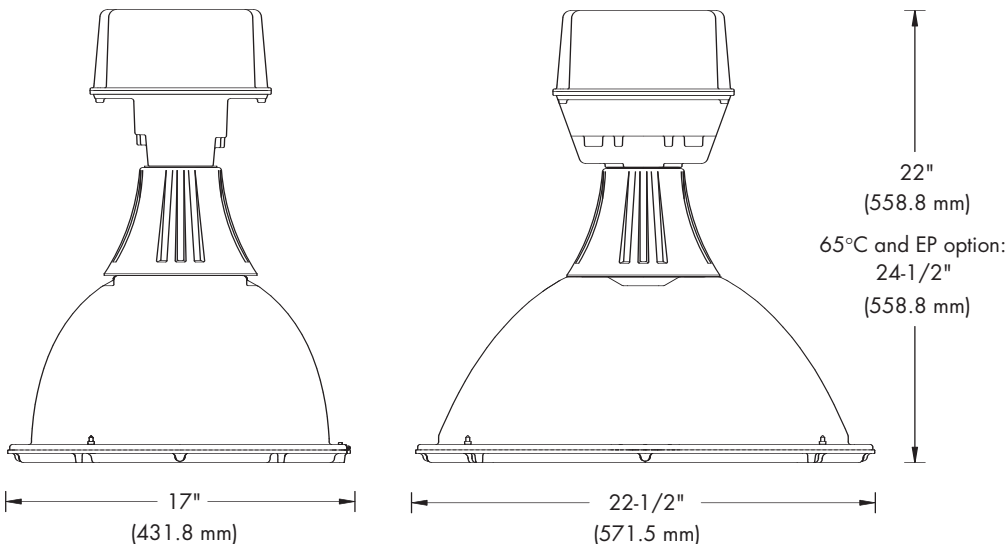
<b>HBE</b>					<b>AA20E</b>	
<b>BALLAST ASSEMBLY</b> HBE		<b>LAMP SOURCE</b> M - Metal Halide S - High Pressure Sodium P - Pulse Start Metal Halide (Ballast option must also be specified)		<b>OPTIONS (add as suffix)</b> CUL - UL Listing to meet CSA standards WEB - Pulst Start Electronic Ballast (150, 200, 250, 340, 350, 400, 440, 450 watt only) Consult factory for available voltages and ambient temperature rating. EP - Encased and Potted core and coil ballast for quiet operation <sup>48</sup> HR - Hot Restrike (150W HPS only) MR - Magnetic Regulated Ballast <sup>35</sup> OR - Open Rated Socket PSC - Pulse Start CWA Ballast PSM - Pulse Start Magnetic Regulated Ballast (175, 200, 250 & 400 watt only.) PSR - Pulse Start Reactor Ballast (150, 200, 250, 320, 350, 400, 450 watt. 277 volt only.) Q - Quartz Standby QEM - Quartz Emergency <sup>40</sup> QTD - Quartz Time Delay WDF - Wired Double Fuse <sup>45</sup> WSF - Wired Single Fuse <sup>46</sup> HL - HI/LO Ballast <sup>45</sup> 65 - 65°C Ambient <sup>48</sup> NFZ - Non Food Zone		<b>OPTICAL</b> AA20E - Enclosed 20"X15" Aisle Lighter
	<b>WATTAGE</b> 250 - 250 300 - 300 <sup>30</sup> 320 - 320 <sup>30</sup> 325 - 320/350 <sup>30</sup> 340 - 340 <sup>30</sup> 350 - 350 <sup>30</sup> 400 - 400 440 - 440 <sup>30</sup> 450 - 450 <sup>30</sup> 750 - 750 <sup>30</sup> 10X - 1000 <sup>4,29</sup>		<b>VOLTAGE</b> 12 - 120 20 - 208 24 - 240 27 - 277 34 - 347 48 - 480 2T - 208/277 MT - 120/208 240/277 TT - 120/277 347			
<b>ACCESSORIES (ORDER SEPARATELY)</b> CH - Cover Half for Power Hook (use with PB) PB - Power Box for Power Hook (use with CH) HP12 - Hook-Cord-Plug Assembly 120V HP25 - Hook-Cord-Plug Assembly 208-240V HP27 - Hook-Cord-Plug Assembly 277V HP48 - Hook-Cord-Plug Assembly 480V HMR - Suspension Hook Male LMR - Suspension Loop Male SCB3 - Ballast Retainer Chain 3'						
(Refer to Section 18000 for additional accessories.)						

**Footnotes:**  
<sup>1</sup>Not available in High Pressure Sodium.  
<sup>29</sup>BT37 or ED37 lamps required.  
<sup>30</sup>Pulse Start Metal Halide Only.  
<sup>35</sup>Available 150 - 400W High Pressure Sodium.  
<sup>40</sup>Requires 120 volt secondary power supply.  
<sup>45</sup>Use with 208, 240, and 480 volt.  
<sup>46</sup>Use with 120, 277, and 347 volt.  
<sup>48</sup>May require deep ballast housing.  
<sup>56</sup>Must specify voltage.

**General Notes:**  
 All accessories are field installed.  
 Mogul base lamp only.  
 All options factory installed.

**Warning:** Refer to and follow the lamp manufacturer's warnings and instructions.

## DIMENSIONS



## ENERGY DATA

HIGH PRESSURE SODIUM		
CWA BALLAST INPUT WATTS		
250 watt-295 watts		
400 watt-464 watts		
METAL HALIDE		
BALLAST INPUT WATTS		
CWA	WEB	
250 watt	295 watts	263 watts
300 watt	342 watts	-
320 watt	368 watts	-
350 watt	400 watts	363 watts
400 watt	458 watts	413 watts
450 watt	508 watts	465 watts
750 watt	810 watts	-
1000 watt	1080 watts	-

**AL-12025.1**

LOGISTIX<sup>Pro</sup>™  
 ENCLOSED AISLE LIGHTER

LOGISTIX™ 320W PSMH AA20E/POSITION 4																			
WIDE SPREAD S/MH = Rack - 1.4 Aisle - 3.0										TEST NO. 23862									
DISTRIBUTION CURVE				COEFFICIENTS OF UTILIZATION				AVERAGE BRIGHTNESS				ZONAL SUMMARY				CANDLEPOWER			
	EFFECTIVE FLOOR CAVITY REFLECTANCE 20 PER (ρfc=0.20)																		
	CEIL 80 70 50 30 10																		
	WALL 70 50 30 10 70 50 30 10 50 30 10 50 30 10																		
	RCR																		
	0	88	88	88	86	86	86	86	83	83	83	79	79	79	76	76	76		
	1	82	80	77	75	80	78	76	73	75	73	71	72	70	69	69	68	67	
	2	76	71	66	63	74	69	65	62	67	64	61	65	62	59	62	60	58	
	3	70	63	58	53	68	62	57	53	60	55	52	58	54	51	56	53	50	
	4	64	56	50	46	62	55	50	45	53	49	45	52	47	44	50	47	44	
	5	59	50	44	39	57	49	44	39	48	43	39	46	42	38	45	41	38	
6	54	45	39	34	53	44	38	34	43	38	34	42	37	34	41	37	33		
7	50	41	34	30	49	40	34	30	39	34	30	38	33	30	37	33	29		
8	47	37	31	27	45	36	31	27	35	30	26	35	30	26	34	29	26		
9	43	34	28	24	42	33	28	24	32	27	23	32	27	23	31	26	23		
10	40	31	25	21	39	30	25	21	30	25	21	29	24	21	28	24	21		
ZONE				END				45				CROSS							
45				16387				39426				131016							
55				19448				23482				143840							
65				11572				4553				30416							
75				2148				1879				5679							
85				1901				797				1778							
Degrees				Lumens				% Lamp				% Fixture							
(0-30)				6836				21.4				28.8							
(0-40)				12394				38.7				52.2							
(0-60)				22487				70.3				94.6							
(0-90)				23762				74.3				100.0							
(90-180)				0				0.0				0.0							
(0-180)				23762				74.3				100.0							
Angle				Avg. Candela				Angle				Avg. Candela							
25				10847				70				345							
30				10518				75				157							
35				9688				80				62							
40				8766				85				24							
COMPARATIVE YEARLY LIGHTING ENERGY COST PER 1000 LUMENS = \$3.71 BASED ON 3000 HRS. AND \$.08 PER KWH. IER=65																			
These photometric results were obtained in the Day-Brite Lighting Laboratory which is NVLAP accredited by the National Institute of Standards and Technology.																			

ADDITIONAL TEST NUMBERS

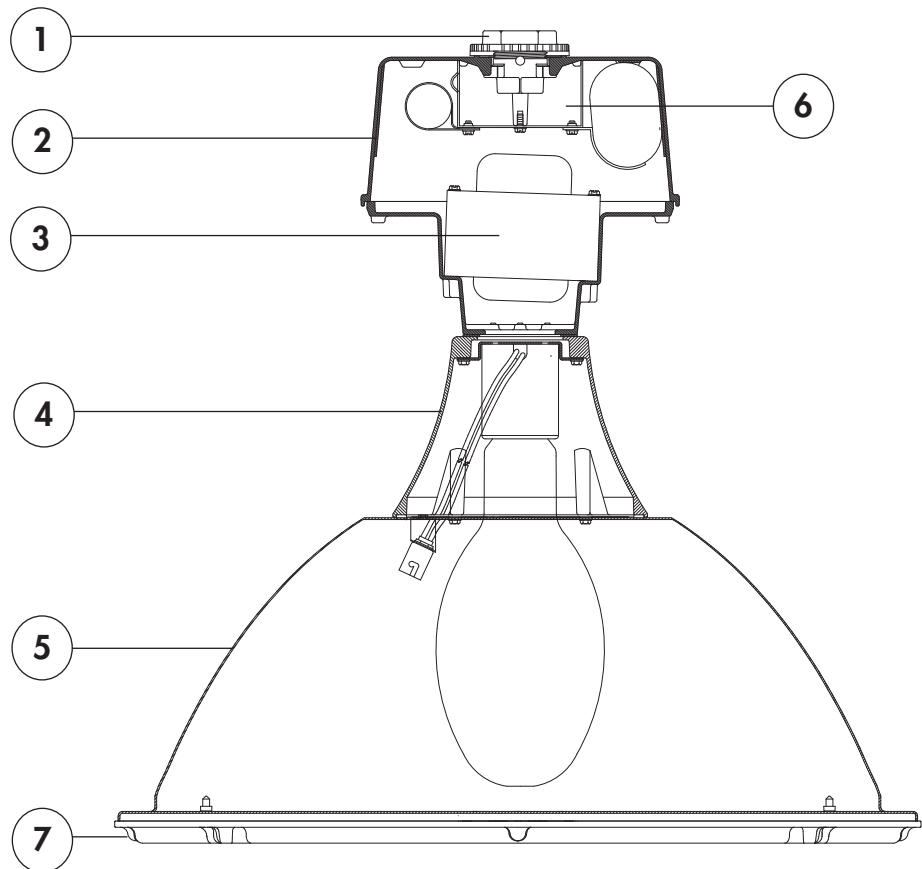
AA20E 320 WATT		PULSE START METAL HALIDE	
SOCKET	S/MH	TEST NUMBER	
POSITION 1	0.6/1.4	23865	
POSITION 2	0.8/1.9	23864	
POSITION 3	0.9/2.2	23863	
POSITION 4	1.4/3.0	23862	
POSITION 5	1.6/3.3	23861	
POSITION 6	1.7/3.6	23860	

AA20E 400 WATT		PULSE START METAL HALIDE	
SOCKET	S/MH	TEST NUMBER	
POSITION 1	0.9/2.2	23869	
POSITION 2	1.1/2.5	23868	
POSITION 3	1.3/2.8	23867	
POSITION 4	1.6/3.4	23866	

PRODUCT FEATURES

UL 1598 Listed suitable for damp location and 55°C ambient for all lamp wattages listed with magnetic ballast. Consult factory for ambient temperature rating for electronic ballast (WEB option).

- 3/4" threaded cast aluminum nut and hub for easy, positive mounting.
- Heavy wall, two piece die cast aluminum housing with white polyester powder finish.
- Day-Brite "Slant 2" ballast mounting for cooler operation. Ballast has high temperature class H insulation and a minimum starting temperature of -40°C (-40°F) for HPS and Pulse Start MH or -30°C (-20°F) for MH.
- Heavy gauge yoke provides positive mounting of reflector to ballast assembly and field adjustable light distribution patterns.
- Hydroformed, heavy gauge aluminum reflector with precision facets and a clear anodized finish.
- Large wiring access with captive retainer screw.
- Hinged cast aluminum door frame with tempered glass lens.



Visit our web site at [www.daybritelighting.com](http://www.daybritelighting.com)

AL-12025.1

776 South Green Street Tupelo, MS 38804 Phone: 662-842-7212 Fax: 662-841-5501  
 189 Bullock Drive Markham, Ontario Canada L3P 1W4 Phone: 905-294-9570 Fax: 905-294-8911  
 Day-Brite Lighting reserves the right to make changes without notice. ©August 2004 DL 2M0804  
 Day-Brite Lighting is a Genlyte Thomas Group.

